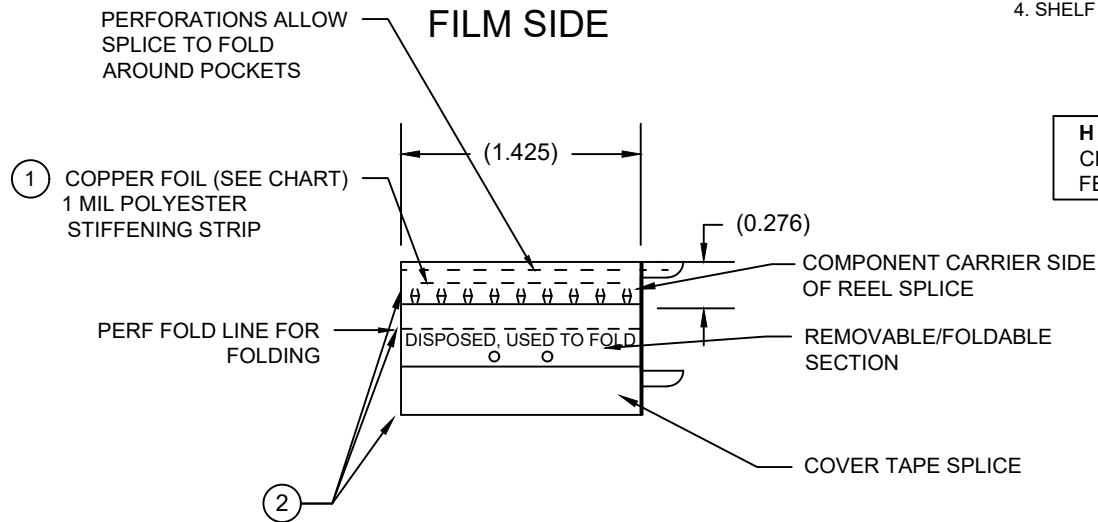


US AND GLOBAL PATENT PENDING

PART NUMBER	W±0.008	QTY/ROLL	COPPER	DETECTION
EREELA	0.8165"	1000	Y	N/A
EREEL1216A	0.969"	1000	Y	N/A
EREEL24PA	1.375"	1000	Y	N/A

REV	DESCRIPTION	DATE	APPROVED
A	INITIAL RELEASE	7/22/13	
B	FOR FIXTURE ALIGNMENT AND STIFFENING STRIPS	10/14/13	
C	MODIFIED PERF CUT	11/8/13	
D	UPDATED NOTES	1/10/14	
E	IMPROVED PERF FOR FOLD LINE, MOVED TOP TAPE SPLICE .010" OFF EDGE AND COMPONENT AND SPLICE .016" OFF EDGE CHANGED NICKS TO HOLD SPLICES TOGETHER FROM .010" TO .013"	05/19/14	
	REMOVED 5 HOLES	05/21/14	
F	UPDATED ADHESIVE NOTES	10/16/15	

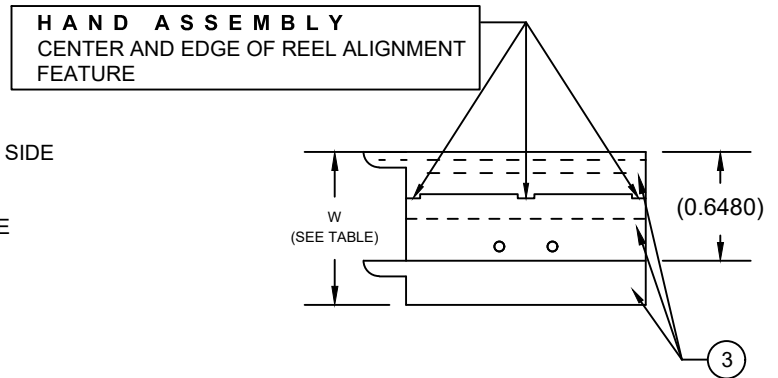
NO PSA RESIDUE



NOTES:

- PART TO BE MARKED WITH EXPIRATION DATE (MM/YY)
- PACKARD LABEL DISPENSER FILLED WITH QTY, PART NUMBER, LOT NUMBER, DATE OF MANUFACTURING AND EXPIRATION DATE.
- PRODUCT SHOULD BE STORED AT 18-22C (64-72F), 30-70% RELATIVE HUMIDITY AND OUT OF DIRECT SUNLIGHT IN ORIGINAL PACKAGING.
- SHELF LIFE OF 12 MONTHS

PAPER SIDE



ADHESIVE PROPERTIES:

- COAT WEIGHT 30-40 g/m²
- 180° PEEL TEST: 40 OUNCES MIN.
- STATIC SHEAR TEST: 5 POUNDS PER LINEAR INCH: 48 HOURS MIN.
- ADHESIVE THICKNESS .0015 +/- .002"
- CARBON BLACK CONTENT: 5%
- STATIC DISSIPATION: .01 - .16 SECONDS

	NAME	DATE	ElectroReel COMPONENTS, LLC EREELA
DRAWN	A VALERO	05/16/15	
CHECKED			
ENG APPR			
MGR APPR			TITLE
UNLESS OTHERWISE SPECIFIED DIMENSIONS ARE IN INCHES ANGLES ±1° TOLERANCES ±0.01			FILE: T:\TOOLDWG\CUSTOMERS\ELECTROREEL\EREELA
			DOUBLE SMD SPLICE, DETECTABLE, NO PSA RESIDUE
SCALE: 1:1		WEIGHT: N/A	SHEET 1 OF 1

UNIVERSAL EREELA SPLICE

- CDA 110 COPPER, .0005" THICK (PER CHART), 1MIL POLYESTER STRIP APPROXIMATELY .246" WIDE.
- .00092" THICK METALLIZED/SILVER COLORIZED POLYESTER WITH SEMI CONDUCTIVE HIGH SHEAR ACRYLIC NO RESIDUE ADHESIVE .0015" NOMINAL THICKNESS.
- .003" THICK GLASSINE COATED 1 SIDE WITH SILICON RELEASE.